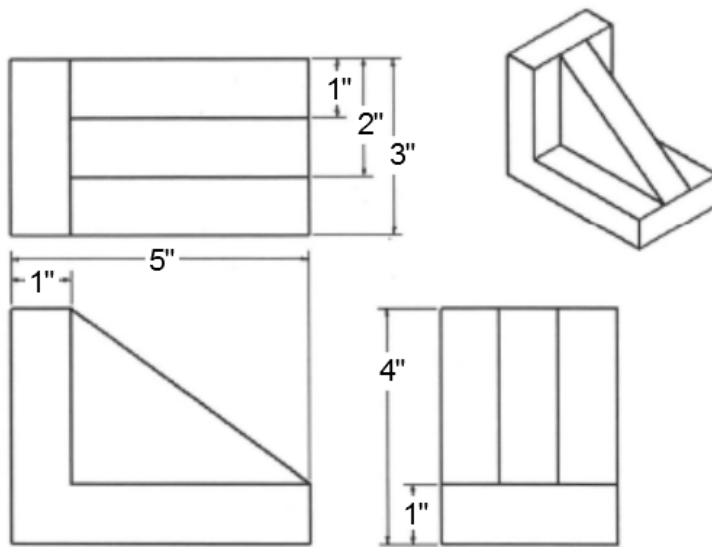


1. Technology can best be defined as how people use the natural world to design and make goods and services that society needs or wants.
2. Science is the study of. .. The study of our natural world is referred to as science.
3. What is the difference between raw vs. synthetic material? Raw material found naturally occurring in nature. Human-made materials are called synthetics.
4. Define the industrial revolution? The industrial revolution was a period in which human and animal muscle power were replaced by machines
5. What do we rely on in this current information age? smart-phones and computers
6. Which type of technology are smart-phones and computers? 2 types of tech Information and Communication
7. List two examples of construction technology? Examples of construction technology are bridge, building, or man-made structures.
8. When factories produce many items in a small period of time, the process is called mass production.
9. A system that operates without human interference is called automation.
19. What would be the negative impact of a new highway being built through a community? Declining home values.
20. What is a positive impact seen as energy and power technologies advance?
21. What is a positive impact of mass production used in manufacturing? Goods are cheaper.
22. What is a positive impact of medical technologies? People live longer.
23. Which technological resource refers to the physical items needed for a project? Materials
24. Tools and machines are resource of technology helps humans extend our natural ability to do work.
- 25 . Capital is a term used to describe
26. Energy not only provides lighting and heat, but this resource also includes human energy, or humans labor.

Use this drawing to answer  
the next 3 questions



32. What is the overall height in inches? 4 inches

33. What is the overall width? 5 inches

34. What is the overall depth? 3 inches

40. The purpose of sketching is to communicate ideas.

41 . What are drawing standards? Rules or guidelines used so products conform to a certain size or level of quality.

42. Orthographic and Isometric drawings are two examples of technical drawings.

43 . What does a working drawing include? Dimensions

44. Part of the brainstorming process, what type of sketches are used to get your ideas on to paper? thumbnail

45. Why are dimensions used? To show size and scope. (height, depth, width)

46. Height can best be described as the distance between the top and the bottom.

47. Width can best be described as the distance between the sides

48. Depth can best be described as the distance between the front and back.

58. What does the acronym CAD stand for? Computer Aided Design

59. In Autodesk Inventor, which file extension allows you to make working drawings?  
.IDW

60. In Autodesk Inventor, which file extension allows you to make parts? .IPT

61. In Autodesk Inventor, which file extension allows you to assemble parts? .IAM
62. In Autodesk Inventor, an .IAM file is where you put pieces of your product together.
63. In Autodesk Inventor, an .IDW file is where you create working drawings
64. In Autodesk Inventor, an .IPT file is where you make the individual pieces of a project.
65. In Autodesk Inventor what does the extrude tool do? make a two dimensional drawing into a three dimensional object.
73. In Autodesk Inventor, this tool will delete a section of a line that you click on? Trim tool.
74. In Autodesk Inventor, the extend tool will make a line longer so it will reach the next intersecting line.
75. List two rules you must follow when dimensioning a working drawing. place dimension between views and above views.
76. This type of drawing provides all the information and details needed to make the item.
77. What is ANSI and what do they do? American National Standards Institute (ANSI) sets general rules for technical drawings and dimensioning.
78. Two straight lines that are at a 90 degree angle to each other are called perpendicular.
79. Two straight lines that will never intersect are called parallel
80. In Autodesk Inventor, this tool will allow you to copy a shape, and make a larger or smaller copy with all parallel lines. Offset
89. In design, color is best defined aesthetics it creates a sense of interest.
90. What does *refine* mean? Make better
91. Define aerodynamics. having a shape that reduces the drag from air moving past.
92. What does an aerodynamic vehicle look like? Long flowing and graceful
93. When using power tools, if the teacher is not in the classroom what should you do? should not be used
94. List 3 things you should never wear while operating machines: baggy sweatshirts, flip flops, jewelry

95. What should you do when someone else is operating the machine? stay away and not distract them
96. Why do we wait for the machine to stop spinning before we walk away from it?
97. When using tools and equipment keep away from moving parts to prevent. ..