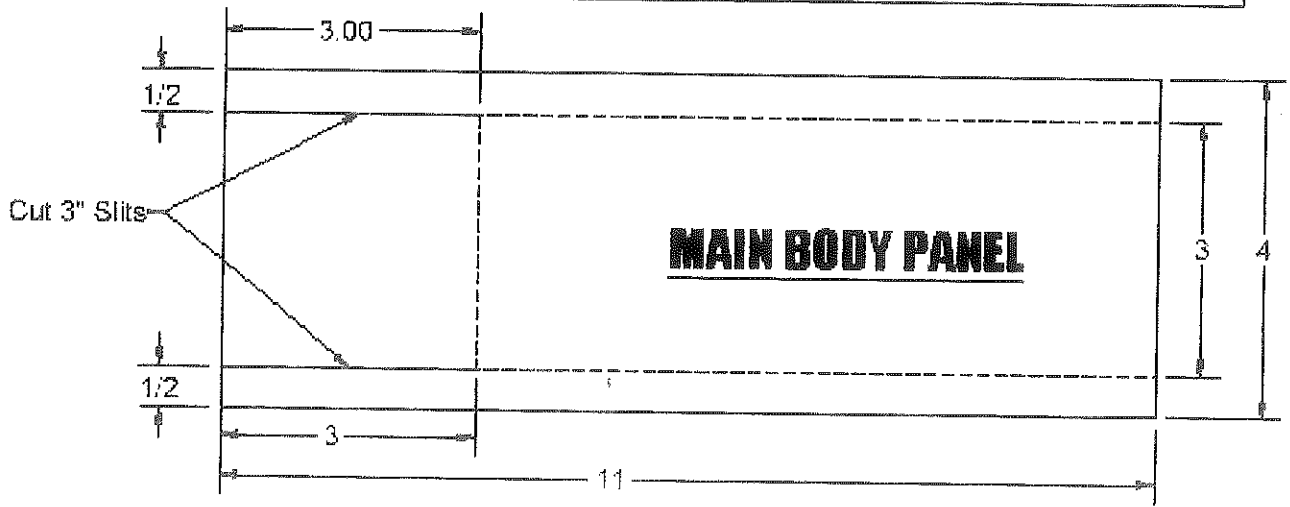


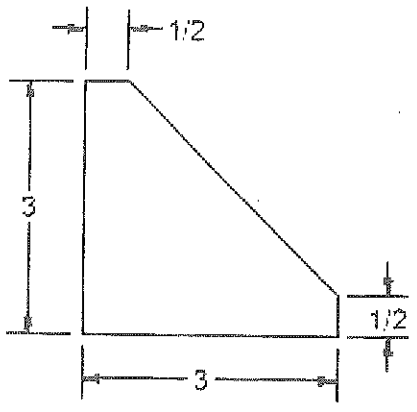
Name:	
Class:	Date:

Air Racer Plans

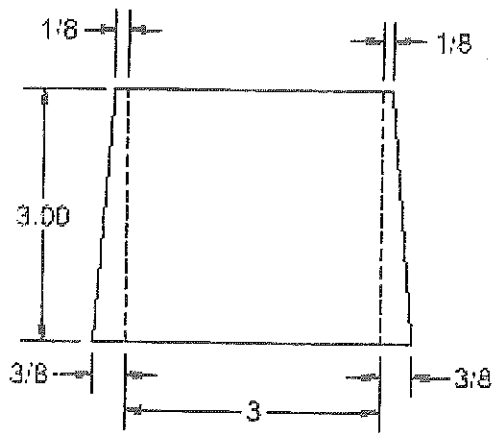
Directions: Use the measurements from this sheet to layout your air racer. The drawing below is not to scale. The solid lines are cutting lines. The dotted lines represent scoring lines. Decorate your air racer before assembling.



DOTTED LINES ARE SCORE / FOLD LINES



FIN (2 required)

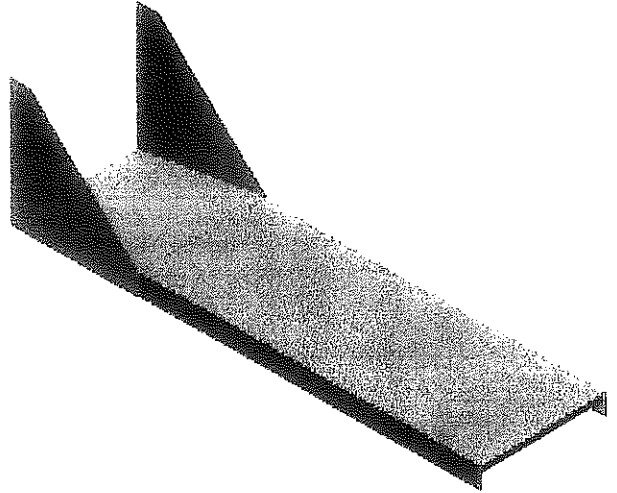


AIR SCOOP

Air Glider

You will be creating a glider which can launch over 100 feet! Heavy paper will be provided for you to use.

Precise measurement and a clean assembly will ensure your glider works correctly.



Time:

- You will have ____ days to have your glider completely finished.

Information:

- Dimensions are given on attached sheet.
- You will be taught how to properly create the glider.

Capital:

- Money from the school budget to buy supplies.

Tools & Machines:

- Utility Knives
- Scissors
- Hot Glue Guns

Energy:

- You must be working every day to finish the glider.
- We need to plug in hot glue guns to work.

Materials:

- Card Stock
- Hot Glue Sticks
- Paper Clips

People:

- You will be creating your own glider.
- Teacher will be assisting throughout the project.

Name: _____

Air Glider Rubric

Measurements Accuracy to the nearest 1/16"	All measurements are accurate to the nearest 1/16"	Some measurements are more than 1/16" off	Some measurements are more than 1/8" off	Many measurements are more than 1/8" off	Little comprehension of reading a ruler.
Fins	5	4	3	2	1
Air Scoop	10	8	6	4	2
Main Body	10	8	6	4	2

Cutting: Neatness of cuts made. Cleanliness of edges	All cuts are clean with straight edges	More than one edge is not neat or may not be straight	Some edges are not neat, some may not be straight	Most edges may be jagged or curved	Edges are not straight and are jagged
	10	8	6	4	2

Gluing / Assembly / Folds The overall assembly:	All folds are neat and there is no excess glue	More than one fold is not neat or there is some wasted glue	Some folds are not neat with some wasted glue	Did not score paper and used too much glue	Not assembled correctly with a lot of wasted glue
	5	4	3	2	1

P.1
