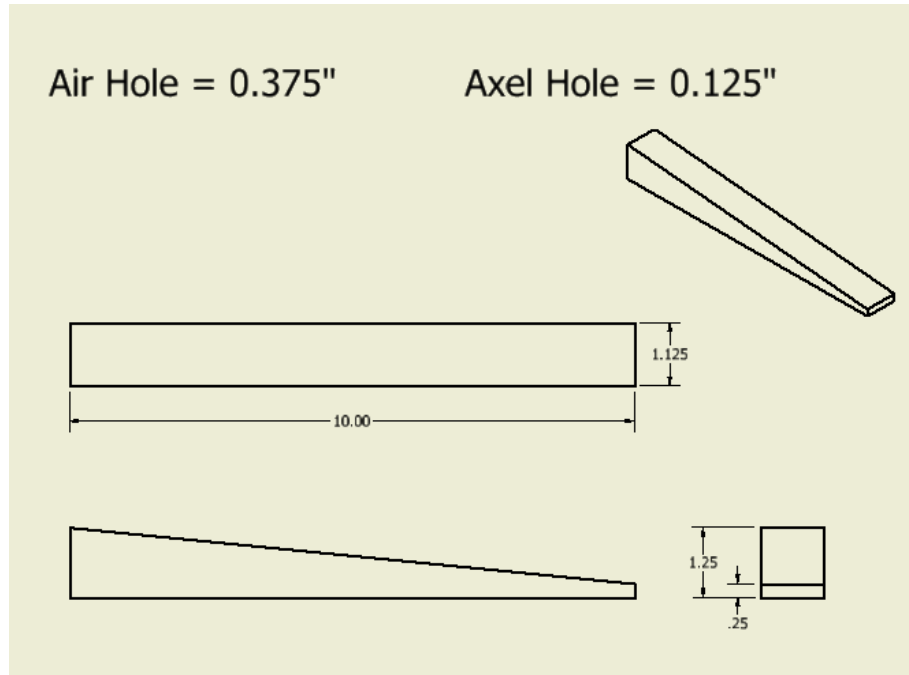


Mr. Polley
PolleyTechnical.com

Technology 8

03/22/16

BYOD



Length- 10" minimum 8"

Axel Holes- Max- 9"

Minimum- 4"

Width- no thinner than .5"

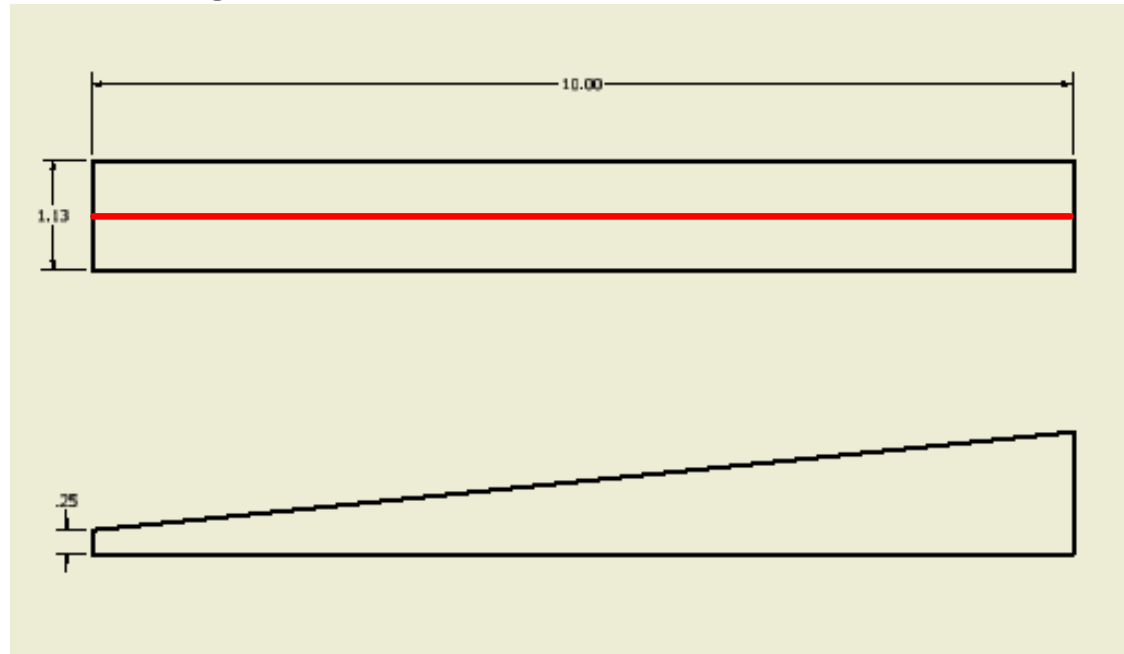
Full Width at Axel Holes

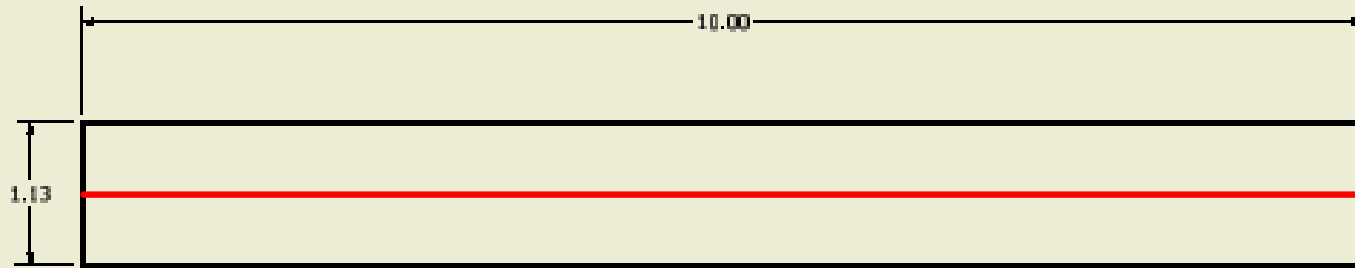
**Air Shaft centered in the
back .375" in Diameter**

1.5" deep

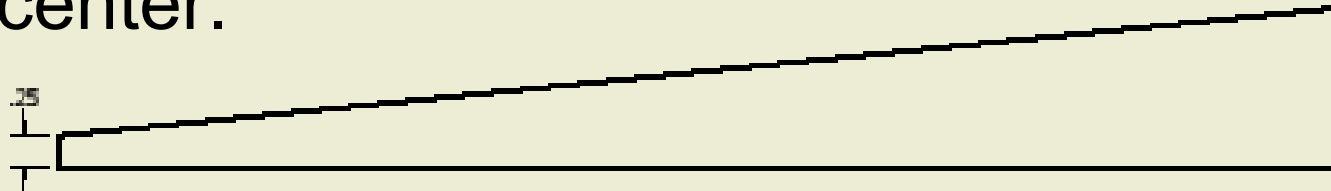
Design Characteristics

- Aerodynamic
- Well Balanced
- Low Mass
- Aesthetically Pleasing
- Well planned

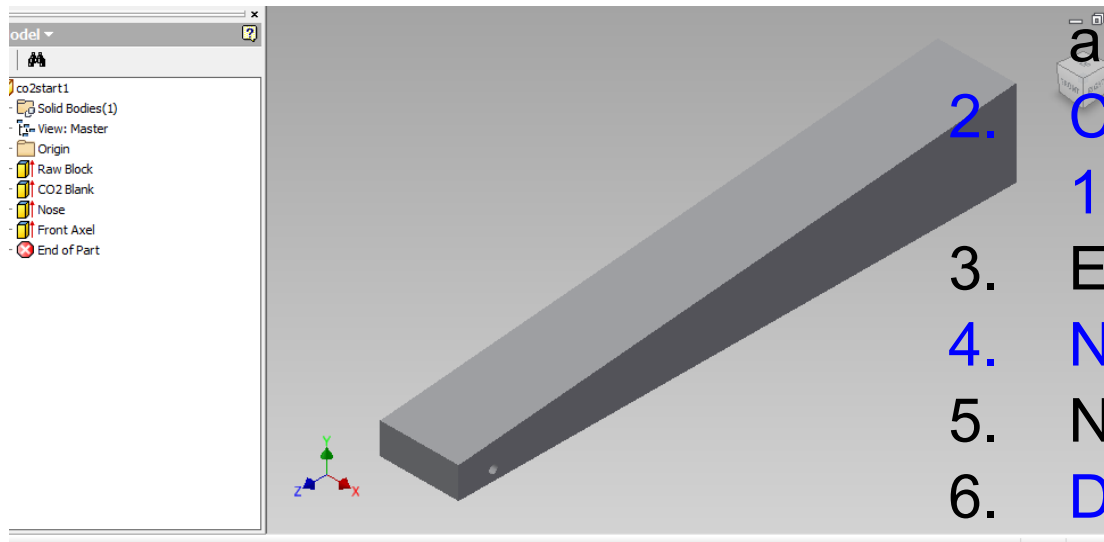




Bisect your block. Plan your design from the center.



AutoDesk Blank Creation



1. Create a parallelogram
all corners 90°
2. Constrain Dimensions
10" deep x 1.25" Wide
3. Extrude to 1.125"
4. Name Extrusion Block
5. New sketch on side
6. Diagonal Line

7. Front lower 1/3, Back top corner

8. Set front to .25" High

9. Extrude cut triangle from top of block (see next slide)

